

VE4000 Series

CLASS "A" SOLENOID VALVE VE4000A1



FEATURES

- **Normally Closed valve.**
(spring loaded valve disc, closed when de-energized).
- **Non regulated ON/OFF.**
- **Opening/closing time: <1 sec.**
- **Maximum working frequency: 20 cycles/min.**
- **Wrench boss as well on inlet side as on outlet side for pipe fitting incorporated in the valve housing.**
- **2 auxiliary pressure taps with Rp 1/4" threaded connections, both on the inlet pressure side.**
- **Coil field replaceable.**
- **Coil suitable for permanent energization.**
- **Coil turnable over 360°.**
- **Internal fine mesh screen.**

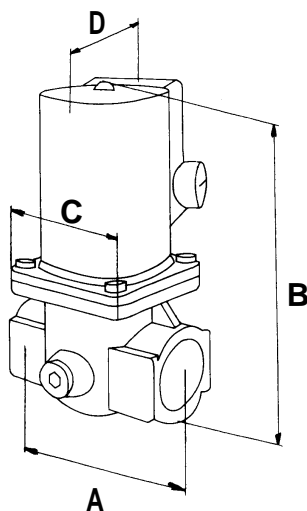


Fig. 1. Dimensional drawing VE4000A1 Series

APPLICATION

These series class "A" gas valves are used for control and regulation of gaseous fluids in gas power burners, atmospheric gas boilers, melting furnaces, incinerators and other gas consuming appliances.

SPECIFICATION

Model

VE4000A1

Dimensions

See figure and table below.

Pipe sizes

Inlet and outlet 3/8" up to 3" internal parallel pipe thread according to ISO 7-1.

Mounting and orientation

The valve may be assembled on the pipeline within plus or minus 90 degrees of the vertical axis and 30 cm. air space around the coil assy.

Capacity

See capacity curves in product handbook

Maximum operating pressure

Rp 3/8" to Rp 1/2" types up to 360 mbar

Rp 3/4" to Rp 2. 1/2" types; 200 or 360 mbar

Torsion and bending stress

Pipe connections meet group 2, according to EN161 requirements.

Supply voltage

Line voltage: 220 ... 240 Vac, 50/60 Hz
110 Vac, 50/60 Hz
24 Vac, 50/60 Hz

Ambient temperature range

-15 ... 60 °C

Electrical connection

Plug connection according to PG11

Optional : Male DIN plug connector according to ISO4400

Coil insulation solenoid valves

Insulation material according to class F.

Electrical protection

IP54

IP65 at specific versions

Valve body

Aluminium alloy die-cast

Bottom plug

Rp 1/4" for Closed Position Indication (CPI) switch.

Strainer

AISI 303 steel

Closing spring

AISI 302 steel

Valve plunger

Chrome plated Fe 360B steel sliding on anti-friction bearing.

Seals and gaskets

Hydrocarbon resistant NBR rubber type

Optional : Viton rubber type

Standards and Approvals

Class "A" valve in accordance with EN161 standards.

The VE4000 Series gas valves conform with the following EC directives:

- Gas Appliance Directive (90/396/EEC)
PIN : CE-0063AP3075/1
- Low Voltage Directive (73/23/EEC)
- Electro Magnetic Compatibility Directive (89/336/EEC)

VE4000 Series

CLASS “A” SOLENOID VALVE VE4000A1

Table 1. VE4000A1 Series, Class “A” Normally Closed solenoid valve, ON/OFF.

O.S. Number	Rated Voltage (Vac)	Connect (inch)	DN	Maximum Operating Pressure (mbar)	Overall Dimensions (mm)				Power Cons. (W)	Enclosure	Weight (kg)	Bottom Plug	DIN Plug	Viton
					A	B	C	D						
VE4010A1006	220 ... 240	3/8	10	360	72	112	52	85	14	IP54	1.1	-	-	-
VE4015A1005	220 ... 240	1/2	15	360	72	112	52	85	14	IP54	1.1	-	-	-
VE4015A1013	110	1/2	15	360	72	112	52	85	14	IP54	1.1	-	-	-
VE4020A1005	220 ... 240	3/4	20	200	86	156	70	96	20	IP54	1.9	3	-	-
VE4025A1004	220 ... 240	1	25	200	100	156	75	96	20	IP54	2.0	3	-	-
VE4025A1095	220 ... 240	1	25	200	100	156	75	96	20	IP54	2.0	3	3	-
VE4025A1097**	220 ... 240	1	25	200	100	156	75	96	20	IP54	2.0	3	-	-
VE4025A1053	110	1	25	200	100	156	75	96	18	IP54	2.0	3	3	-
VE4032A1000	220 ... 240	1 1/4	32	200	150	214	110	118	40	IP54	5.8	3	-	-
VE4032A1117	220 ... 240	1 1/4	32	200	150	214	110	118	40	IP65	5.8	3	-	-
VE4040A1003	220 ... 240	1 1/2	40	200	150	214	110	118	40	IP54	5.8	3	-	-
VE4040A1144*	220 ... 240	1 1/2	40	200	150	214	110	118	40	IP54	5.8	3	-	-
VE4050A1002	220 ... 240	2	50	200	170	220	135	123	41	IP54	6.4	3	-	-
VE4050A1127*	220 ... 240	2	50	200	170	220	135	123	41	IP54	6.4	3	-	-
VE4065A1000	220 ... 240	2 1/2	65	200	225	290	170	145	73	IP54	12.2	3	-	-

* 4 pressure tap connection

** tropicalized coil

Combustion Controls EMEA - Local Honeywell Sales Offices

France

Honeywell SA
Parc Technologique de St. Aubin
Bâtiment Mercury – BP87
91193 Gif-Sur-Yvette Cedex
FRANCE

Phone: (33) 1 60 19 80 00
Fax: (33) 1 60 19 81 81

internet: www.honeywell.fr

Spain

Honeywell S.A.
Josefa Valcárcel, 24
28027 Madrid
SPAIN

Phone: (34) 9 13136100
Fax: (34) 9 13 13 61 27

internet: www.honeywell.es

Eastern Europe

Honeywell s.r.o.
Mlynske Nivy 73
PO Box 75
82007 Bratislava 27
SLOVAKIA

Phone: (421) 2 58247 400
Fax: (421) 2 58247 415

e-mail: info.slovakia@honeywell.com

United Kingdom

Honeywell Control Systems Ltd
Honeywell House, Arlington Business Park
Bracknell
Berkshire, RG12 1EB
UNITED KINGDOM

Switchboard +44 (0)1344 656000
Information Centre Tel +44 (0)1344 656235
Information Centre Fax +44 (0)1344 656240

Email: Uk.infocentre@honeywell.com
internet: www.honeywelluk.com

Germany, Austria, Switzerland

Honeywell GmbH
Kaiserleistrasse 39
63067 Offenbach
DEUTSCHLAND

Phone: (49) 6 980640
Fax: (49) 69 81 86 20

internet: www.honeywell.de

Benelux

Honeywell B.V.
Laarderhoogtweg 18
1101 EA Amsterdam Z.O.
THE NETHERLANDS

Phone: (31) 2 05656911
Fax: (31) 2 05 65 66 00

internet: www.honeywell.nl

Italy

Honeywell S.r.l.
Via P. Gobetti, 2/B
20063 Cernusco sul Naviglio (MI)
ITALY

Phone: 39 02 92146 1
Fax: 39 02 92146 888

internet: <http://www.honeywell.com/sites/it/>